



AC Outdoor Power Supplies

Models Include:

WayPoint10A

- 24VAC @ 4A and/or 28VAC @ 3.5A.

WayPoint17A

- 24VAC @ 7.25A and/or 28VAC @ 6.25A.

WayPoint30A

- 24VAC @ 12.5A or 28VAC @ 10A.

Installation Guide



Rev. 080911ACPL

More than just power.™

Installing Company: _____ Service Rep. Name: _____

Address: _____ Phone #: _____

Overview:

WayPoint Outdoor Power Supplies provide 24VAC or 28VAC distributed via one or two output(s) for powering CCTV cameras, heaters and other video accessories.

WayPoint AC Reference Chart:

Altronix Model Number	Output Voltage	Total Output Current (Power)	Fuse Output Ratings	Input Current Draw		Product Weight
				115VAC 50/60Hz	230VAC 50/60Hz	
WayPoint10A	24VAC	4A	5A/250V	1.2A	0.7A	10.3 lbs.
	28VAC	3.5A				
	24VAC and 28VAC	3.5A				
WayPoint17A	24VAC	7.25A	10A/250V	1.7A	1.0A	13.1 lbs.
	28VAC	6.25A				
	24VAC and 28VAC	6.25A				
WayPoint30A	24VAC	12.5A	15A/32V	3.5A	2.0A	14.1 lbs.
	28VAC	10A				
	24VAC and 28VAC	10A				

Specifications:

Agency Listings:

- CE European Conformity.

Input:

- Input: 115VAC, 50/60Hz or 230VAC, 50/60Hz.

Output:

- Output options:
 - a. 24VAC or 28VAC.
 - b. Both 24VAC and 28VAC.

Visual Indicators:

- Individual power output LED indicators.
- Illuminated master power switch with built-in circuit breaker.

Features:

- Surge suppression.
- Spare fuses included.

Accessories:

- Optional PMK1 Pole Mount Kit simplifies installation of outdoor units.

Enclosure:

- NEMA 4/4X, IP66-11 Rated enclosure for outdoor use.
- Enclosure Dimensions (H x W x D approx.): 13.31" x 11.31" x 5.59" (338.074mm x 287.274mm x 141.986mm)

Installation Instructions:

Unit should be installed in accordance with The National Electrical Code and all applicable Local Regulations.

1. Remove back plane from enclosure prior to mounting (do not discard hardware).
2. Mark and drill desired inlets on the enclosure to facilitate wiring (*Fig. 1, pg. 3*).
3. Mount unit in desired location.

Wall mount: Mount unit in desired location. Mark and drill holes to line up with the top and bottom hole of the enclosure flange. Secure enclosure with appropriate fasteners (e. g. screws and anchors; bolts and locking nuts, etc.) that are compatible with mounting surface and are of sufficient length/construction to ensure a secure mount (*Fig. 5, pg. 7*).

Pole Mount: Refer to *Fig. 6 - 10, pg. 7*.

4. Mount back plane to enclosure with hardware.
5. Set the input voltage selector switch for 115VAC or 230VAC operation (*Fig. 2, pg. 4, Fig. 3, pg. 5, Fig. 4, pg. 6*).
6. To facilitate wire entry utilize weather tight NEMA 4 rated connectors, bushings and cable.
7. Set illuminated master power disconnect circuit breaker to the (OFF) position (*Fig. 2, pg. 4, Fig. 3, pg. 5, Fig. 4, pg. 6*).
8. Connect unswitched AC power (115VAC/230VAC 50/60 Hz) to terminals marked [L, G, N] (*Fig. 2, pg. 4, Fig. 3, pg. 5, Fig. 4, pg. 6*).
Wire gauge range of connectors is 14 AWG to 11 AWG (1.6 mm to 2.5 mm diameter).
9. Set illuminated master power disconnect circuit breaker to the (RESET/ON) position (*Fig. 2, pg. 4, Fig. 3, pg. 5, Fig. 4, pg. 6*).

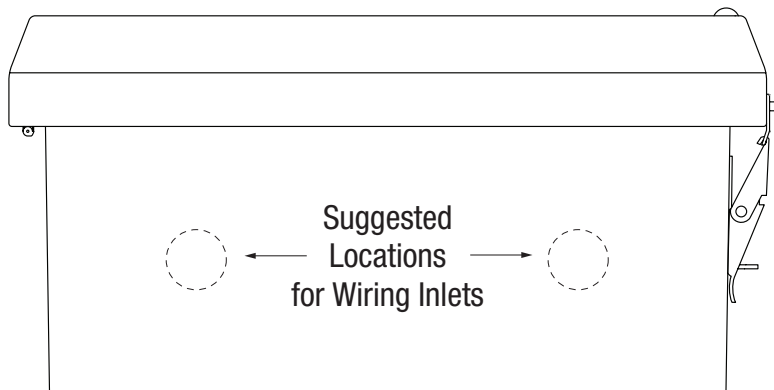
10. Measure output voltage on terminals marked [COM, 24V, 28V] before connecting devices (Fig. 2, pg. 4, Fig. 3, pg. 5, Fig. 4, pg. 6). This helps avoiding potential damage.
 11. Set illuminated master power disconnect circuit breaker to the (OFF) position (Fig. 2, pg. 4, Fig. 3, pg. 5, Fig. 4, pg. 6).
 12. For 24VAC output connect devices to terminals marked [COM, 24V] (Fig. 2, pg. 4, Fig. 3, pg. 5, Fig. 4, pg. 6).
For 28VAC output connect devices to terminals marked [COM, 28V] (Fig. 2, pg. 4, Fig. 3, pg. 5, Fig. 4, pg. 6).
 13. Set illuminated master power disconnect circuit breaker to the (RESET/ON) position (Fig. 2, pg. 4, Fig. 3, pg. 5, Fig. 4, pg. 6).
 14. LEDs will illuminate indicating each output is powered (Fig. 2, pg. 4, Fig. 3, pg. 5, Fig. 4, pg. 6).
 15. Upon completion of wiring, secure enclosure door with latches and optional lock.
- Caution:** Equipment to be installed / serviced by authorized / trained personnel only.
Shut branch circuit power before installing / servicing equipment.

WARNING: When installing in a non-restricted service area use lock or other fastened means on door latches. This installation should be made by qualified service personnel and should conform to the National Electrical Code and all local codes.

Terminal and LED Identification Chart:

Output Terminals	LED	LED Status	
		ON	OFF
COM & 24V	24VAC	Normal operating condition.	No AC output. Blown fuse, illuminated master power disconnect circuit breaker is tripped or OFF, AC failure.
COM & 28V	28VAC		

Fig. 1



Bottom of Enclosure



The lightning flash with arrowhead symbol within an equilateral triangle is intended to alert the user to the presence of an insulated DANGEROUS VOLTAGE within the product's enclosure that may be of sufficient magnitude to constitute an electric shock.



The exclamation point within an equilateral triangle is intended to alert the user to the presence of important operating and maintenance (servicing) instructions in the literature accompanying the appliance.



CAUTION
RISK OF ELECTRIC SHOCK
DO NOT OPEN



CAUTION: To reduce the risk of electric shock do not open enclosure. There are no user serviceable parts inside. Refer servicing to qualified service personnel.

Fig. 2 - WayPoint10A

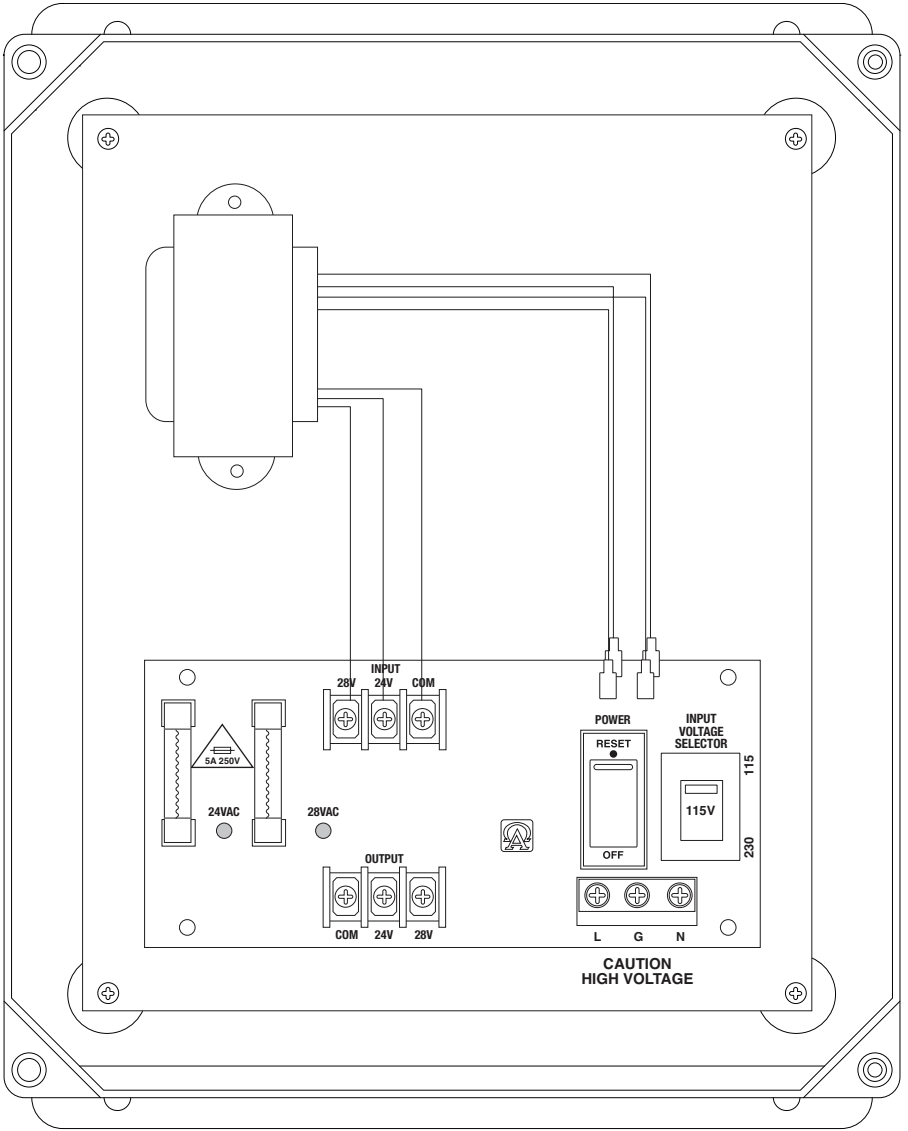


Fig. 3 - WayPoint17A

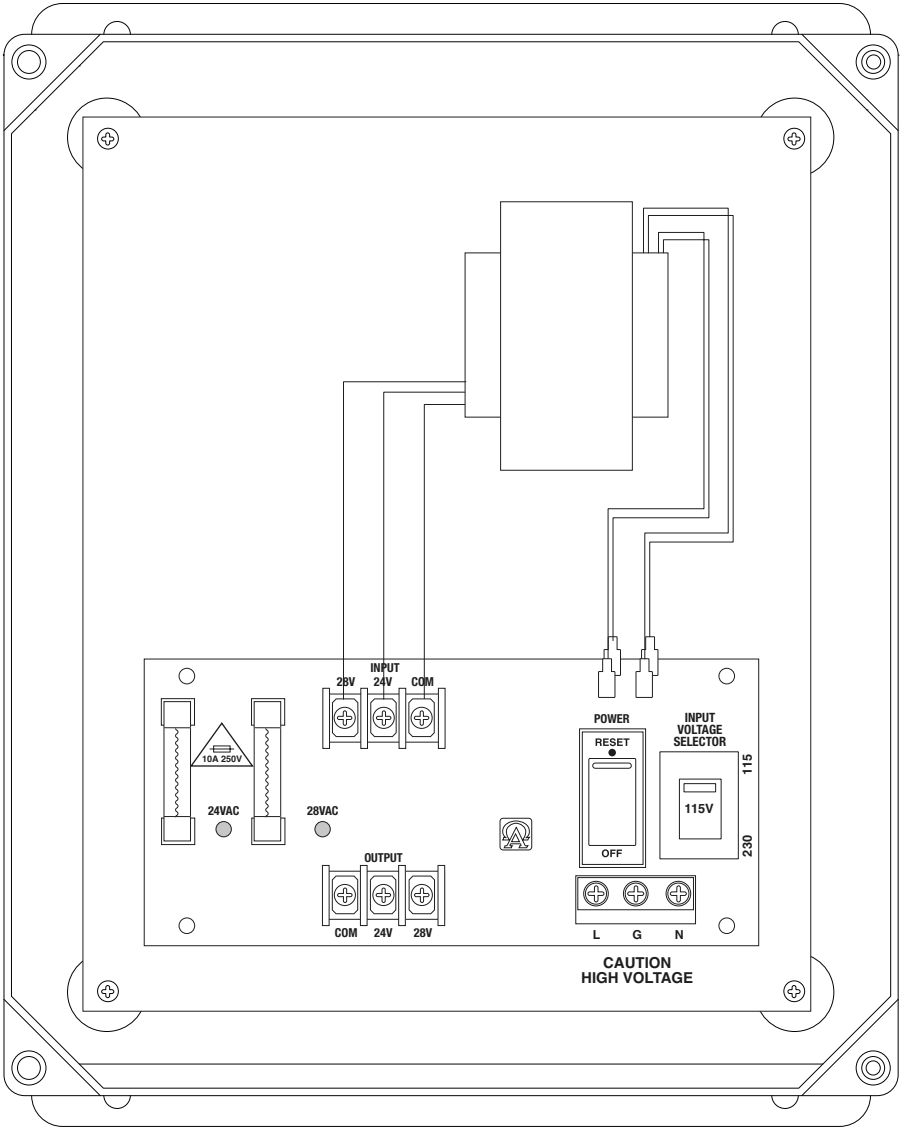
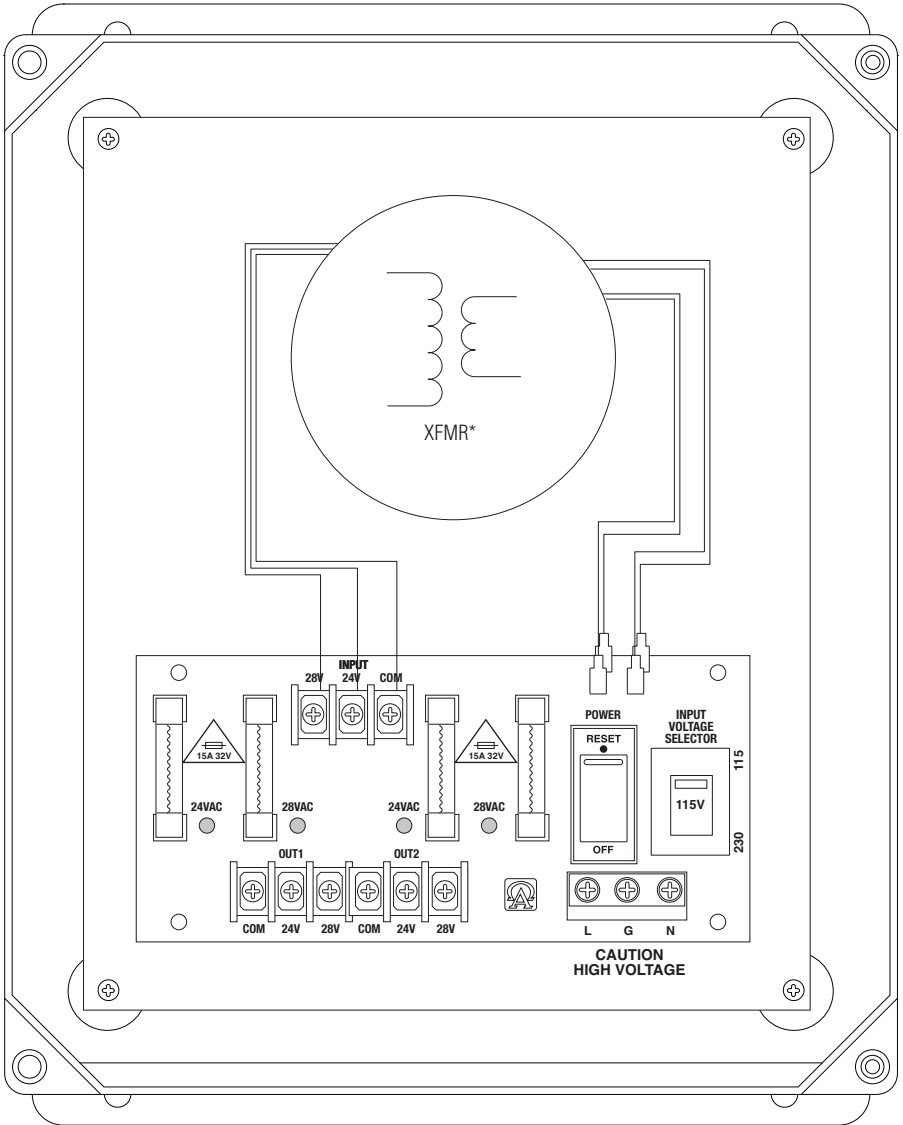


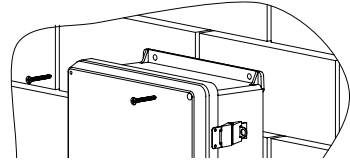
Fig. 3 - WayPoint30A



Wall Mount Installation:

- 1- Place unit at desired location and secure with mounting screws (not included) (Fig. 5, pg. 7).

Fig. 5



Pole Mounting Using Optional Pole Mount Kit PMK1:

This installation should be made by qualified service personnel. This product contains no serviceable parts. PMK1 outdoor pole mount kit is designed to simplify the installation of Altronix outdoor rated power supplies and accessories housed in models WP1, WP3 and WP4 NEMA rated enclosures. PMK1 can be mounted on 2" to 8" (50.8mm to 203.2mm) diameter round or 5" (127mm) square poles. Brackets are designed for use with the Wormgear Quick Release Straps (two included).

1. Thread one (1) wormgear quick release strap through the slots on the back of a mounting bracket (Fig. 6, pg. 7).
2. Once the desired height of the top Pole Mount bracket is achieved, tighten the straps down by sliding open end of the strap through the locking mechanism on the strap, then tighten the screw with flat head screwdriver or 5/16" hex socket driver (Fig. 7, pg. 7 and Fig. 9, pg. 7).

Fig. 6

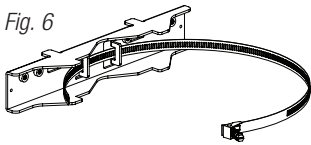


Fig. 7

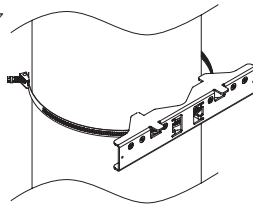
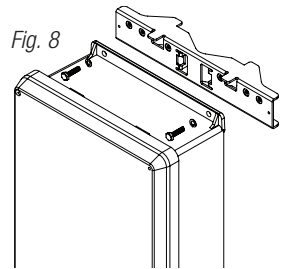


Fig. 8



3. Attach the bottom bracket to the enclosure by inserting bolts through the flange of the enclosure and into the bracket, tightening bolts with a 7/16" hex socket (Fig. 8, pg. 7).
4. Thread the second wormgear quick release strap through the slots on the back of the bottom mounting bracket (Fig. 9, pg. 7).
5. Mount enclosure onto the top bracket by inserting bolts through flange of the enclosure and into the bracket, tightening bolts with a 7/16" hex socket (Fig. 7, pg. 7).
6. Tighten the straps of the bottom bracket down by sliding the open end of the strap through the locking mechanism on the strap, then tighten screw with flat head screwdriver or 5/16" hex socket driver (Fig. 7, pg. 7).
7. Clip excess straps.

Fig. 9

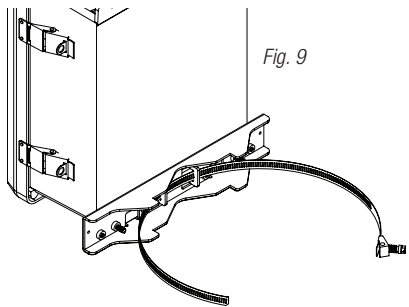


Fig. 10
2" to 8" (50.8mm to 203.2mm)
diameter round pole

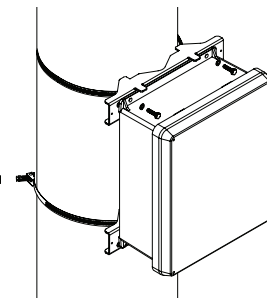
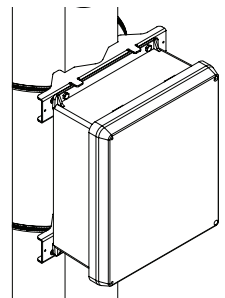


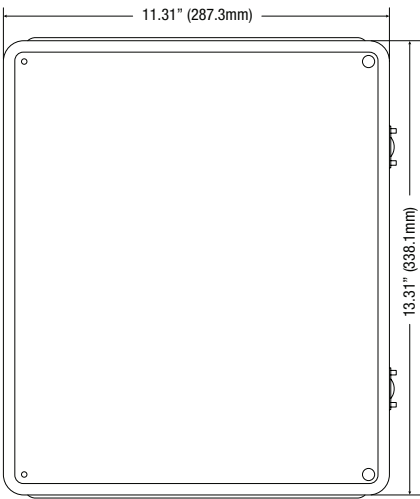
Fig. 10a
5" (127mm) square pole



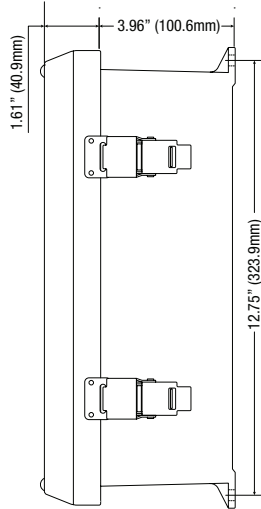
Enclosure Dimensions (H x W x D approximate):

13.31" x 11.31" x 5.59" (338.1mm x 287.3mm x 142mm)

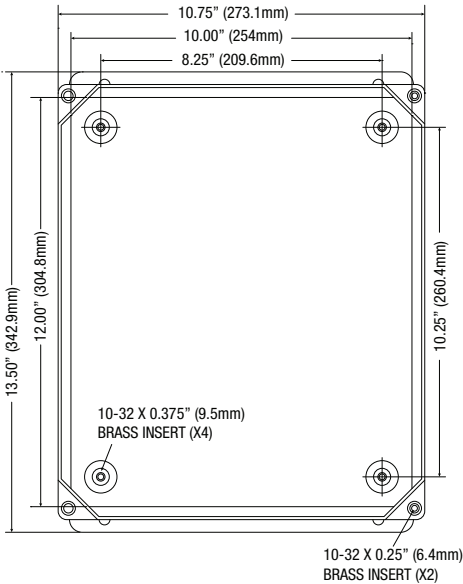
FRONT VIEW



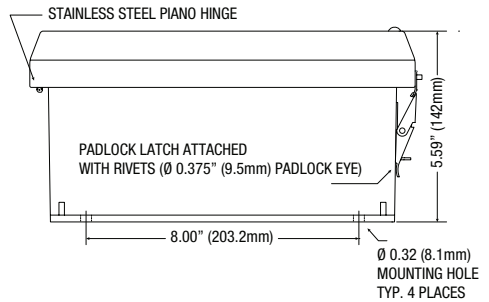
RIGHT SIDE VIEW



FRONT VIEW COVER REMOVED



END VIEW



Altronix is not responsible for any typographical errors.

140 58th Street, Brooklyn, New York 11220 USA | phone: 718-567-8181 | fax: 718-567-9056
website: www.altronix.com | e-mail: info@altronix.com | Lifetime Warranty
IIWayPoint AC Series HOU

